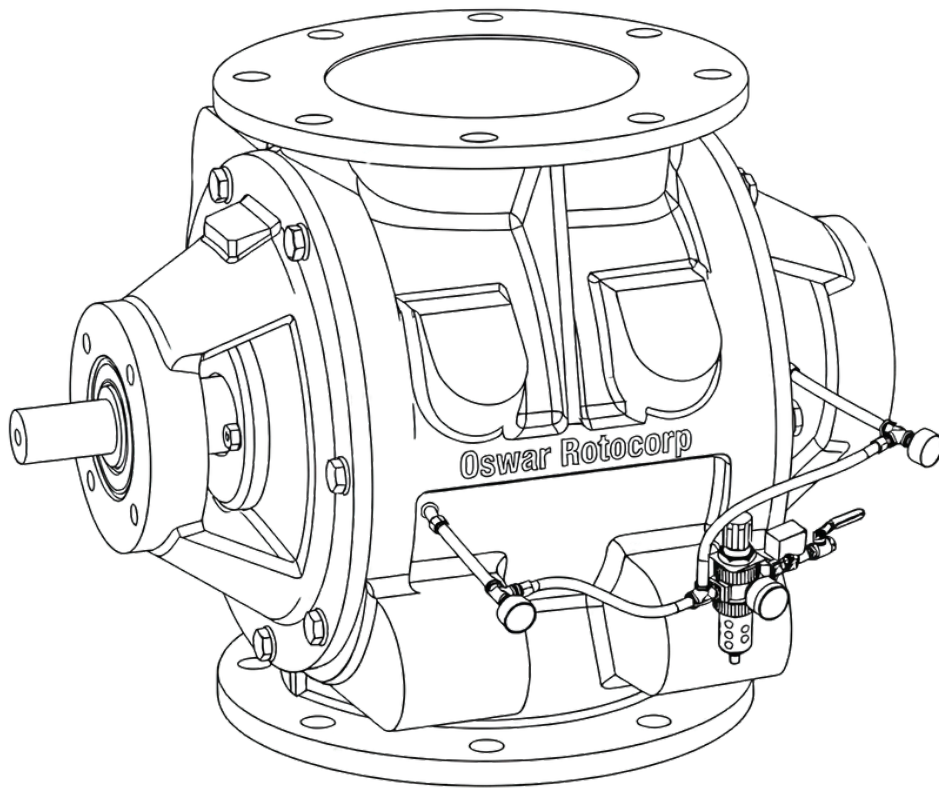


CEMENT INDUSTRY SOLUTIONS

RELIABLE PROCESS EQUIPMENT FOR
HIGH-DUTY CEMENT OPERATIONS



OSWAR
rotocorp



Oswar Rotocorp delivers specialized flow control and material handling solutions tailored for cement manufacturing environments. Designed to withstand abrasive materials, high temperatures, and continuous-duty operations, our equipment supports stable plant performance across all process stages.

From raw meal handling to clinker discharge and finished cement transfer, our engineered systems ensure controlled feeding, airlock efficiency, and reliable material routing. Each solution is developed to meet the rigorous demands of cement plants, minimizing downtime and improving operational efficiency.

KEY ADVANTAGES

RAW MILL & RAW
MEAL HANDLING

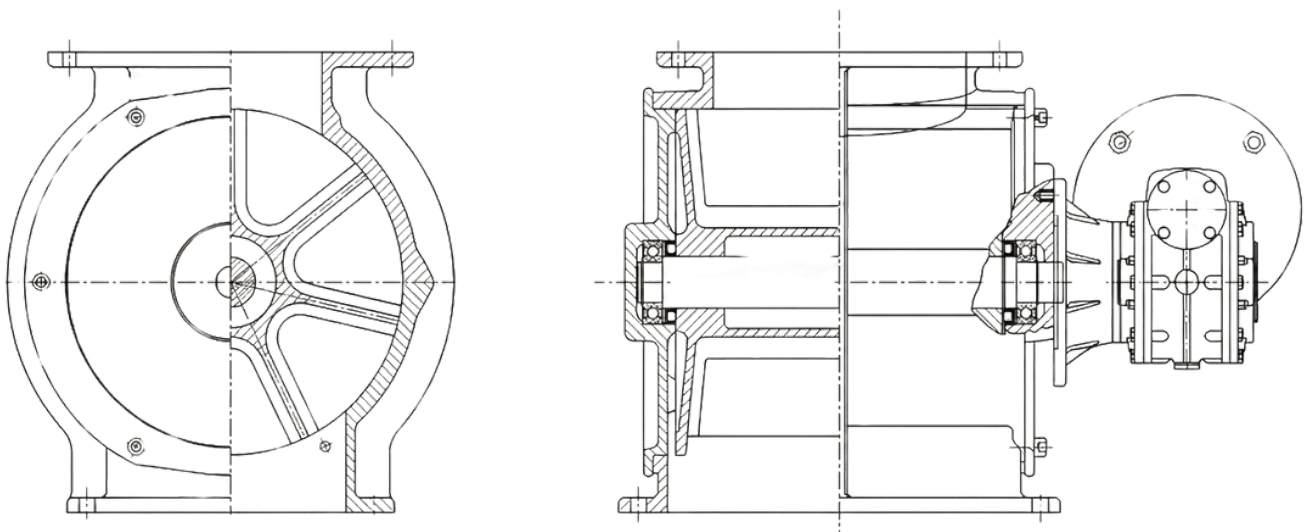
KILN FEED &
PREHEATER
SYSTEMS

CLINKER & HOT
MATERIAL
DISCHARGE

DUST
COLLECTION &
BAG FILTER
SYSTEMS

ENGINEERED FOR ABRASION, HEAT & CONTINUOUS DUTY

Cement manufacturing involves highly abrasive materials and demanding thermal conditions. Our engineered solutions are built with reinforced construction, optimized internal geometry, and wear-resistant materials to ensure durability in such environments. Precision machining and controlled clearances provide efficient airlock performance and stable material discharge. Heavy-duty bearing systems, high-temperature sealing arrangements, and abrasion-resistant components are integrated to withstand continuous plant operation.



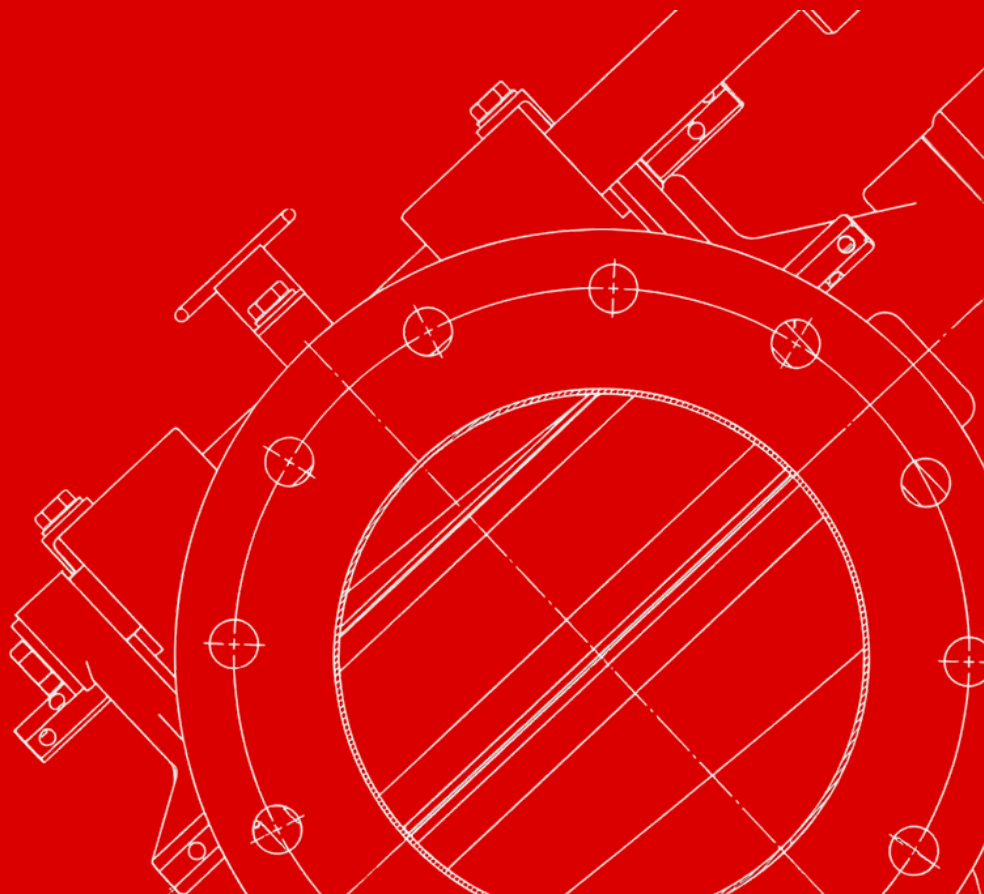
ENGINEERING FEATURES

- Rotary Valves for Raw Meal & Cement Discharge
- Heavy-Duty Rotary Valves for Clinker Applications
- High-Temperature Rotary Valves for Kiln Systems
- Slide Gate Valves for Silo Isolation
- Diverter Valves for Multi-Line Routing
- Flap Valves / Gravity Gates for Dust Collection Systems

DRIVING PLANT EFFICIENCY & PROCESS STABILITY

Key Benefits:

- Enhanced Airlock Efficiency
- Reduced Material Leakage
- Improved Process Stability
- Extended Equipment Life
- Optimized Maintenance Intervals
- Seamless Integration with Plant Systems



OSWAR

rotocorp

Corporate Office

Jaipur, Rajasthan India
Nagpur, Maharashtra India

Sales Inquiries

info@oswarrotocorp.com

Helpline

[+44 7917 128505](tel:+447917128505) | +91 77422 36474

Copyright © 2026 OSWAR ROTOCORP. All Rights Reserved. OSWAR® is a registered trademark of **OSWAR ROTOCORP**. This brochure makes no offers, representations or warranties (express or implied), and information and data contained in this brochure are for general reference only and may change at any time.